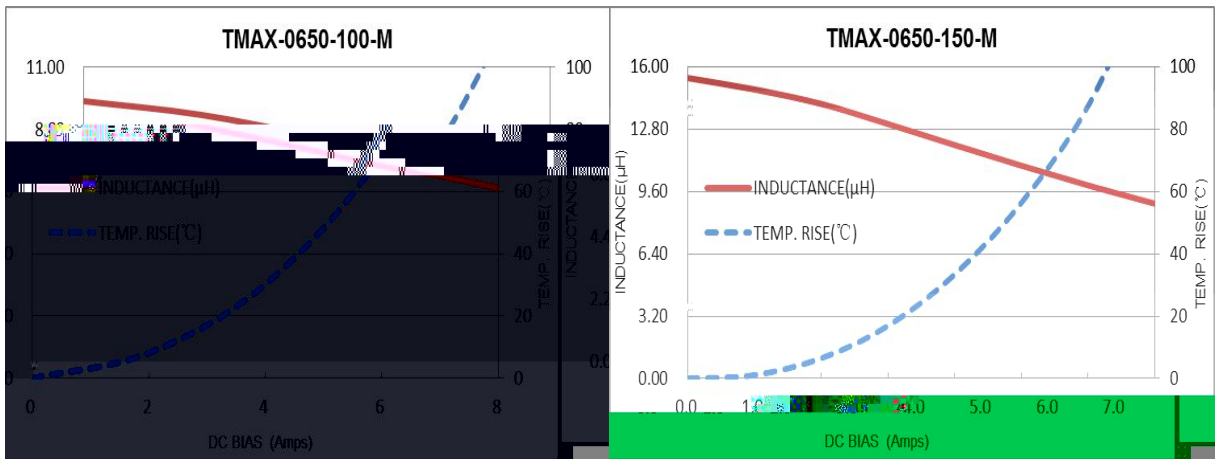
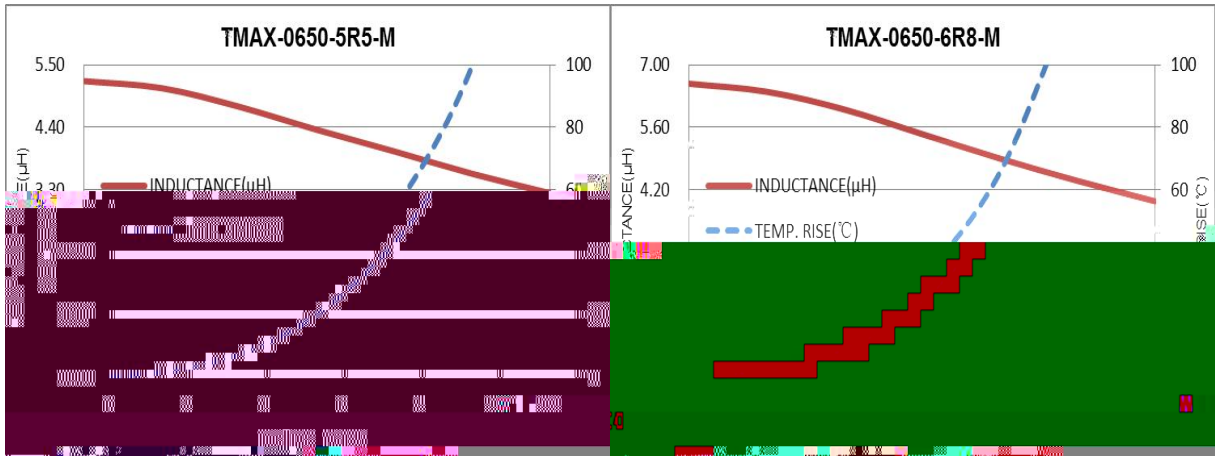


: ( ),  
( )



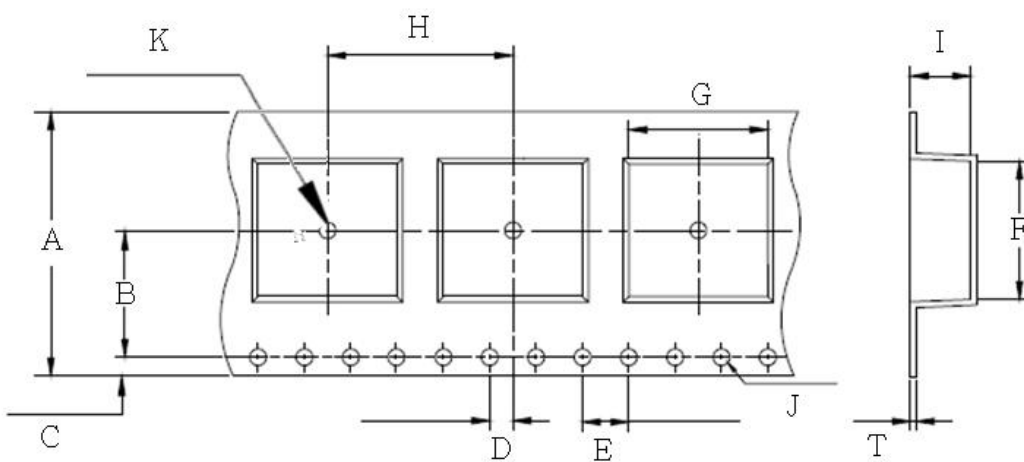


---

	$\pm$ $\pm$ °C $\pm$	
		$\pm$

	$\pm$ $\pm$ $\rightarrow$ $\pm$ $\rightarrow$ $\pm$ $\pm$ $\rightarrow$	$\pm$

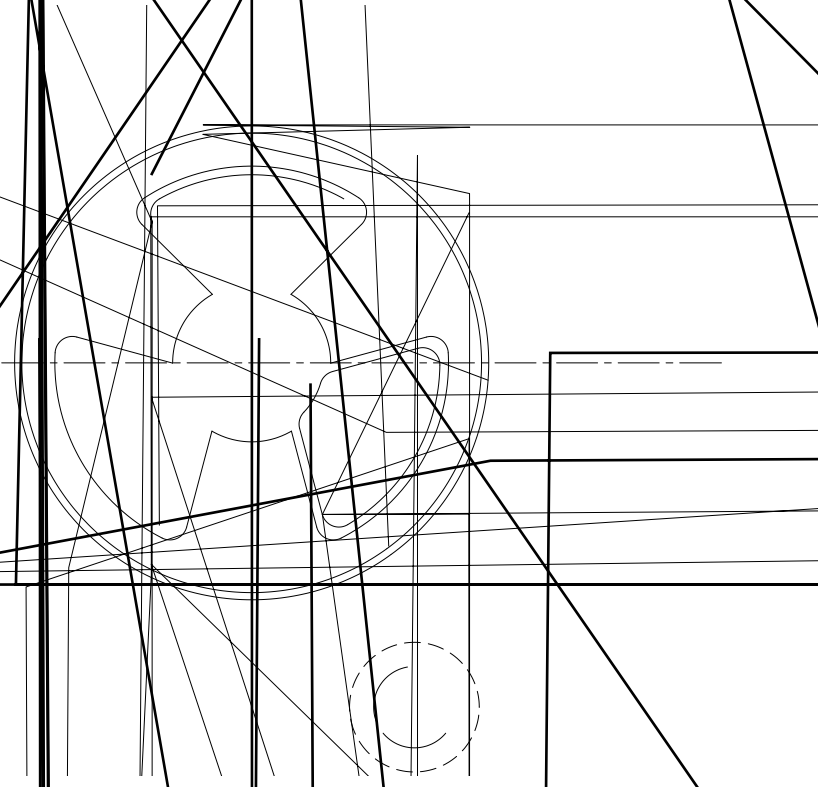
		±
		±
		±
		±



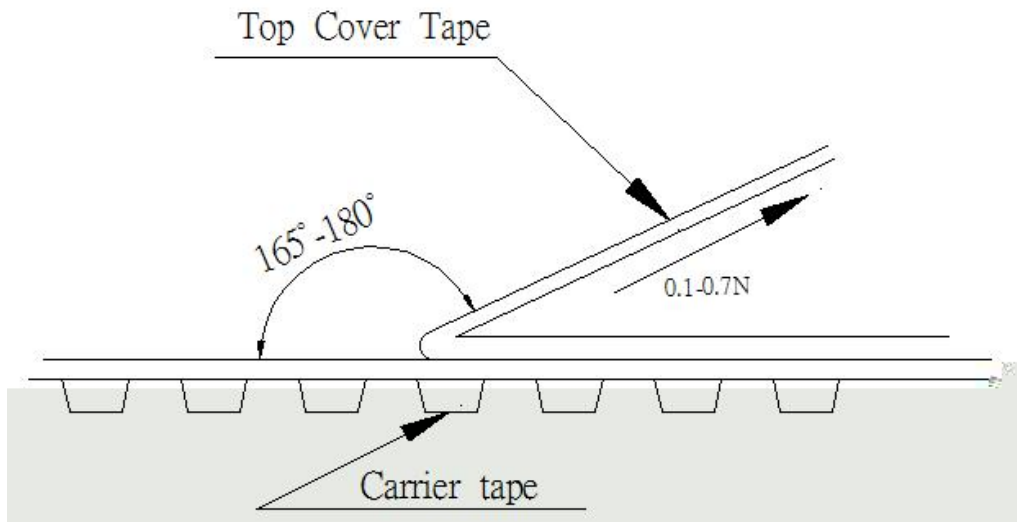
±	±	±	±	±	±

±	±	±	±	±	±	±

±	±	







	<	≡
<	°C	°C
≡	°C	°C

	<		
<	°C	°C	°C
	°C	°C	°C
	°C	°C	°C

	°C	°C
	°C	°C
	°C	°C
	°C	°C
°C		
	°C	°C
°C		



- 
- 

- ✓
- ✓
- ✓
- ✓
- ✓

- ✓
- ✓
- ✓
- ✓
- ✓

- 

- 
- ✓
- ✓

- ✓
- ✓

- 

- 

-

