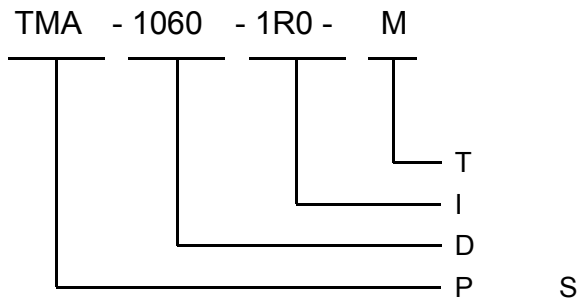


---

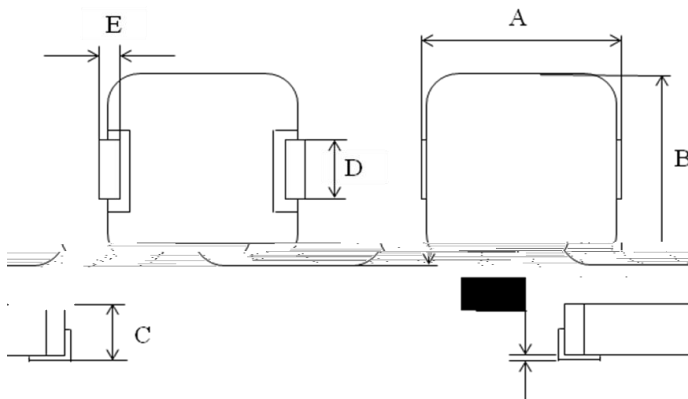
	A0	I TMA -1060-R68-M	2018/03/06	H	Roger

- L
- L DCR
- H
- H (I )
- R HS H F
- L EMI

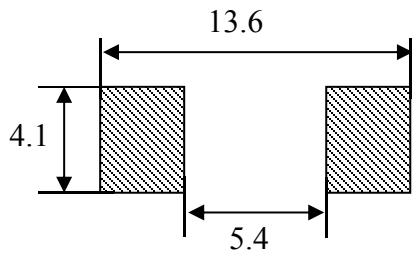
- V R M
- DC/DC
- T -
- G
- L PC
- SSD



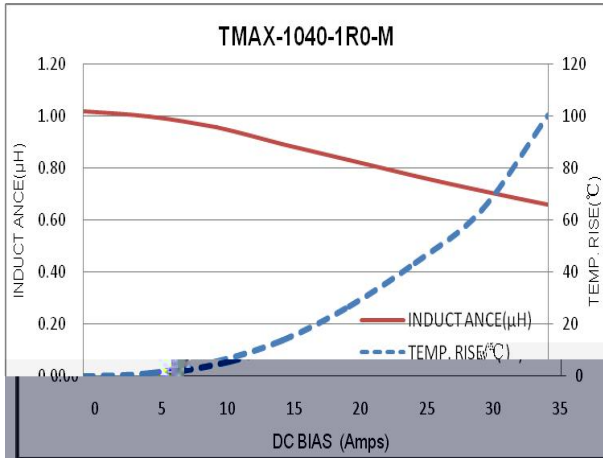
M= 20%  
1R0=1.0 H



A	
B	
C	
D	
E	
F	

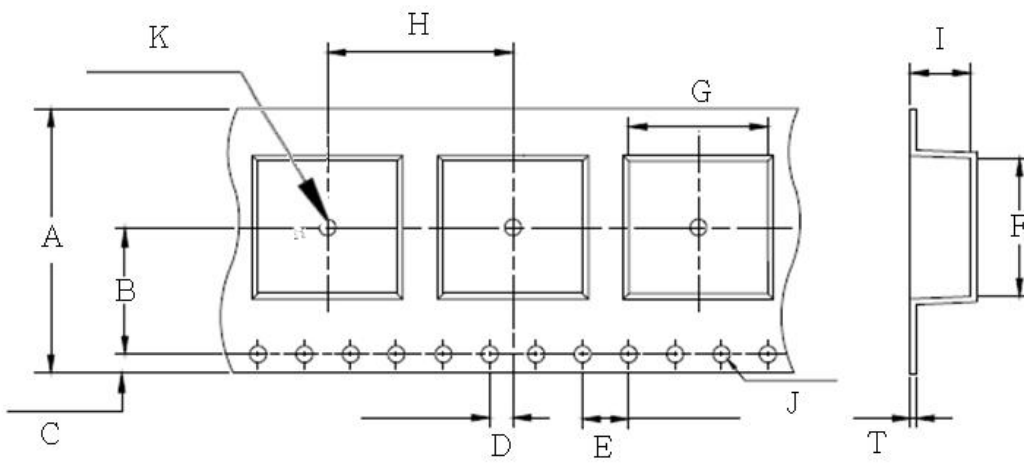


- T 6-
- F : 1R0 1.0 H, R10 0.1 H.

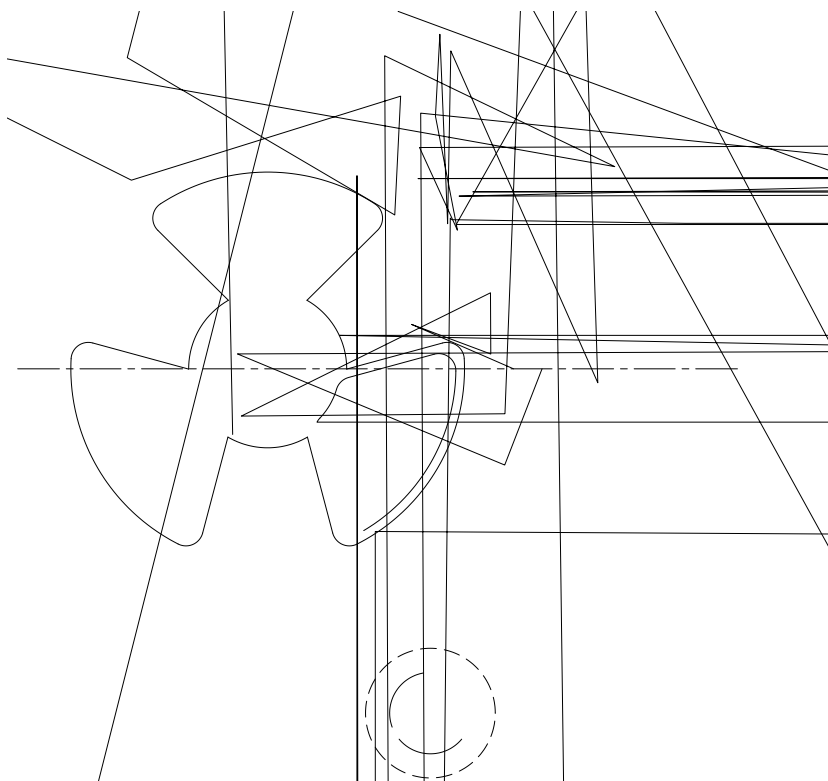


S : T  
 S 1.P : 160 ± 10 C 90  
 2.R : 245 ± 5°C 2 ± 95%  
 0.5  
 1.V IUHT :  
 (10H 55H 10H ) 60  
 0  
 V

T S	<p>1.R 100 :  <math>(-55 \pm 2 C, 30 \pm 3) \rightarrow (R, 5) \rightarrow (+125 \pm 2 C, 30 \pm 3) \rightarrow</math>  <math>(R, 5)</math>                  2.R : <math>48 + 4 / - 0</math></p>	+
H T R	<p>1.E T : <math>85 \pm 2 C</math>                  2.A C : R                  3.D : <math>1,000 + 4 / - 0</math></p>	L/L <sub>0</sub> ± 5%
H R	<p>1.E T : <math>60 \pm 2 C</math>                  2.R H : 90 95%                  3.D : <math>1,000 + 4 / - 0</math></p>	N
L T S	<p>1.S : <math>-55 \pm 2 C</math>  <math>1,000 + 4 / - 0</math></p>	
H T S	<p>1.S : <math>+125 \pm 2 C</math>  <math>1,000 + 4 / - 0</math></p>	

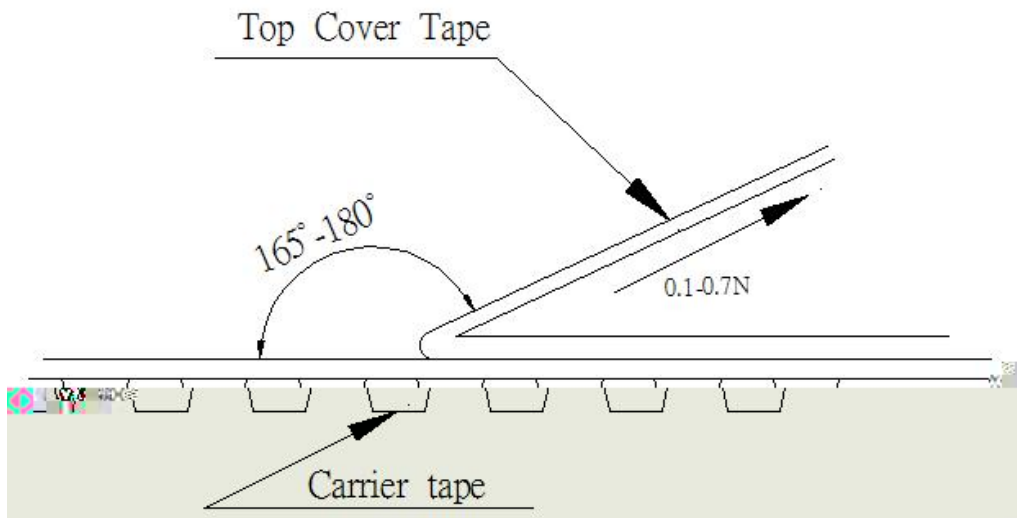


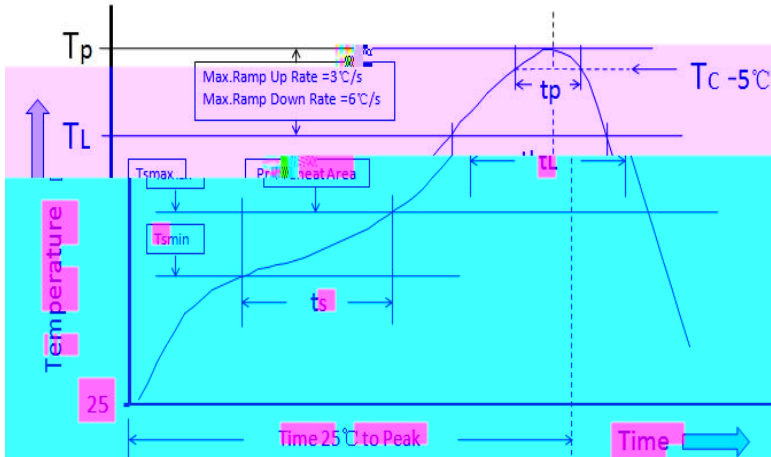
G	F	I	T	H	A
$10.7 \pm 0.1$	$12.0 \pm 0.1$	$6.5 \pm 0.1$	$0.35 \pm 0.05$	$16.0 \pm 0.1$	$24.0 \pm 0.3$
J	K	D	E	B	C
$1.50 \pm 0.1$	$1.50 \pm 0.1$	$2.0 \pm 0.1$	$4.0 \pm 0.1$	$11.5 \pm 0.1$	$1.75 \pm 0.1$



A	B	C
$24.5 \pm 0.2$	$2.0 \pm 0.2$	B

- T 300 / .
- T 0.1 0.7 N.





	<	≧
<2.5	235°C	220°C
≧2.5	220°C	220°C

	<		
<1.6	260°C	260°C	260°C
1.6-2.5	260°C	250°C	245°C
>2.5	250°C	245°C	245°C

P	S	T (T )	100°C	150°C
		T (T )	150°C	200°C
		T ( ):T T	60-120 S	60-120 S
A		TL T	3°C/S M .	3°C/S M .
L		(TL)	183°C	183°C
T		(L)	60-150 S	60-150 S
P		(T )*	T 1	T 2
T		( )** 5 °C (T )	20 **	30 **
A		T TL	6°C/S M .	6°C/S M .
T	25°C P T		6 M M .	8 M M .

\*T (T )

\*\* T ( )



● 500 /

● T  
● L

✓ P N .  
✓ D  
✓ Q  
✓ P N .  
✓ T N .

✓ C  
✓ C  
✓ M  
✓ M  
✓ M

N  
P N .  
P N .  
N  
C

➤ :T 25 35 C, H 45 75% RH

➤ :  
✓ M T : -55 CA  
✓ M T : +125 CT

✓ T -55 C +125 C  
✓ H , UL.

➤ :W

➤ :I

( , .).

➤ P A C  
T

, - - , .T ,  
, ,

/ , , .

➤ T R  
T

.I

➤ D S  
D

➤ W  
T

➤ P  
I

.P

➤ D  
P

➤ N  
T

( , , ) .. TDG H C ., L .

.I ,